

Product Code	Model	Pipe Connection size	Backwash Operation
8107014	JPF	DN65	Manual
8010033	JPF	DN80	Manual
8010034	JPF	DN100	Manual
8307014	JPF-AT	DN65	Auto – time with manual override
8020038	JPF-ATP	DN65	Auto – time with manual override and pressure differential
8020033	JPF-AT	DN80	Auto – time with manual override
8020039	JPF-ATP	DN80	Auto – time with manual override and pressure differential
8020034	JPF-AT	DN100	Auto – time with manual override
8020040	JPF-ATP	DN100	Auto – time with manual override and pressure differential



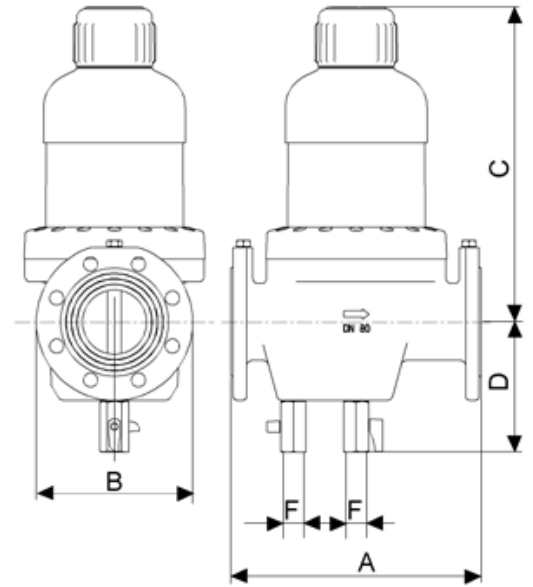
JPF DN65 – DN100 units – Manual and Automatic

	JPF DN65	JPF DN80	JPF DN100	
Max Flow Rate	25.0m ³ /hr – 416l/m	50m ³ /hr – 833l/m	70m ³ /hr 1166l/min	
Maximum Pressure	10 bar	10 bar	10 bar	
Maximum working pressure	10 bar	10 bar	10 bar	
Pressure drop on back washing	0.2 bar	0.2 bar	0.2 bar	
Inlet/Outlet	DN65	DN80	DN100	
Screen Surface Area	217cm ²	533cm ²	533cm ²	
Screen Micron Rating	100μ	100μ	100μ	Available on request 30, 320 & 500μ
Backwash flow rate	0.5l/s	1.0l/s	1.0l/s	
Backwash volume	30l @ 1m duration	60l @ 1m duration	60l @ 1m duration	
Backwash duration	Manual	Manual	Manual	Note Automatic duration 2 m
Weight	18.0kg	33.0kg	36.0kg	
Power requirements	-	-	-	240v/50Hz for auto

Dimensions (mm)

JPF Range – DN65 – 100 - Manual

	DN65	DN80	DN100
A – (Installation Length)	240	320	320
B – (Width)	185	232	232
C – (Height Above Pipe Centre)	332	402	412
D – (Height Below Pipe Centre Width)	159	166	176
G – (Waste Connection)	20	20	20



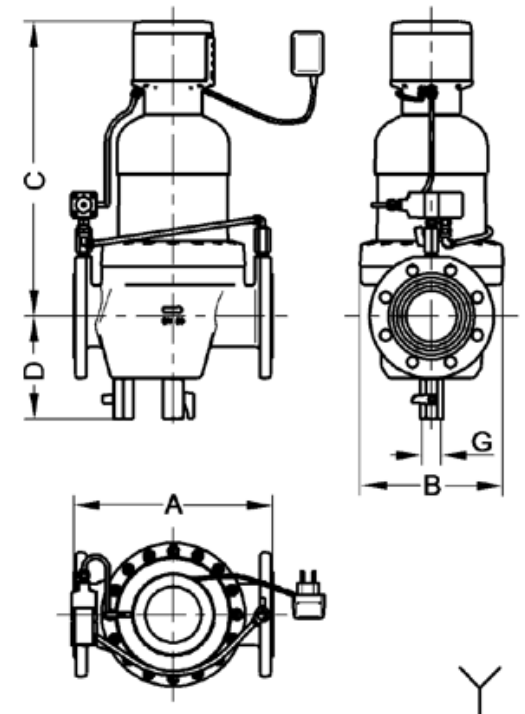
JPF Range – DN65 – 100 – Auto Time

	DN65	DN80	DN100
A – (Installation Length)	240	320	320
B – (Width)	185	232	232
C – (Height Above Pipe Centre)	405	475	485
D – (Height Below Pipe Centre Width)	159	166	176
G – (Waste Connection)	20	20	20

JPF Range – DN65 – 100 Auto

Pressure Differential

	DN65	DN80	DN100
A – (Installation Length)	240	320	320
B – (Width)	185	232	232
C – (Height Above Pipe Centre)	405	475	485
D – (Height Below Pipe Centre Width)	159	166	176
G – (Waste Connection)	20	20	20



Y